

Figure 2109.4

Figure 2109.4
STOVE INSTALLATION CLEARANCES

Stove Components	Combustible Material	½" Asbestos Millboard Spaced Out 1" 2.	Concrete/Masonry Foundation Wall	Spaced Out 1" 4" Brick Veneer
Radiant Stove 1. —Front	36"	—	—	—
Circulating Stove 1. —Front	24"	—	—	—
A. Radiant Stove 3. —Side/Back/Top	36"	18"	8"	18"
A. Circulating Stove —Side/Back/Top	12"	6"	6"	6"
B. Single Wall Connector Pipe	18"	12"	6"	8"
B. Insulated Connector Pipe	2"	2"	2"	2"
C. Chimney Height (Metal or Masonry)	Three (3) feet above adjacent roof and two (2) feet above any roof ridge within 10 feet			
D. Damper	If a damper is not included in the stove construction, it must be installed in the connector pipe.			

1. Front: Fuel or ash access side.
 2. Non-combustible spacers required.
 3. Clearances on each side of a radiant stove with a heat shield shall be measured as if a circulating type.
- Note: Clearances shall be measured perpendicular to stove body.
Laboratory verified test clearances permitted.

WOOD STOVE INSTALLATION CHECKLIST

Permit

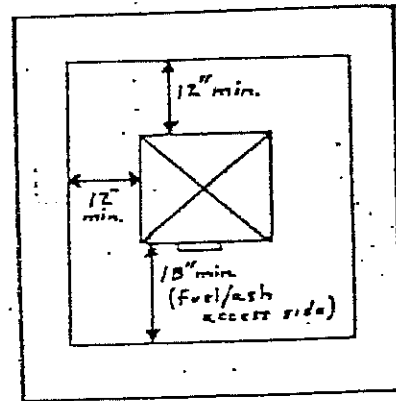
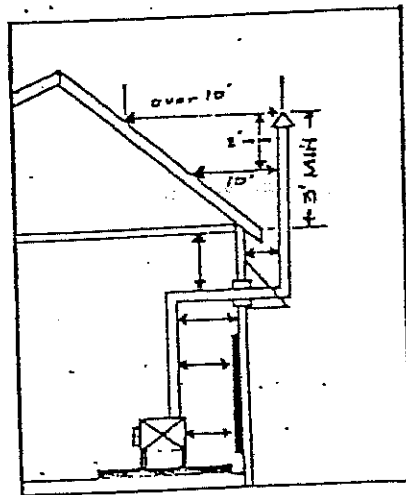
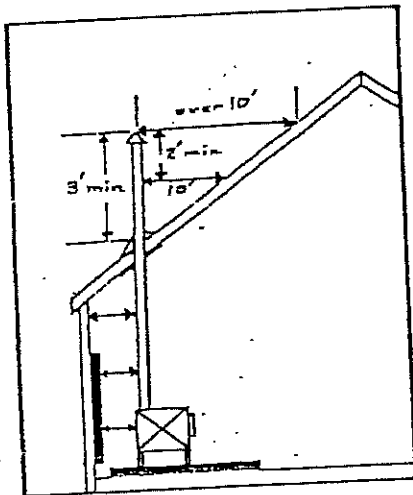
A building permit is required for the installation of any solid fuel burning appliance. The building permit and installation inspection are limited to the stove installation and not to the stove construction.

Stove

- A) Type/radiant _____ circulating _____
 B) Manufacturer _____ test label _____ (after July 1, 1979 only)
 Name/Model No. _____ Collar size _____
 Dimensions/Height _____ Length _____ Width _____

Chimney

- A) New _____ Existing _____
 B) Size (flue area) _____
 C) Other appliances attached to flue (Number and flue size) _____
 D) Metal (Manufacturer—name and type) _____
 E) Masonry/Lined _____ Flue liner _____ (type & manufacturer)
 Unlined _____ cap _____
 F) Height (refer to diagrams) _____



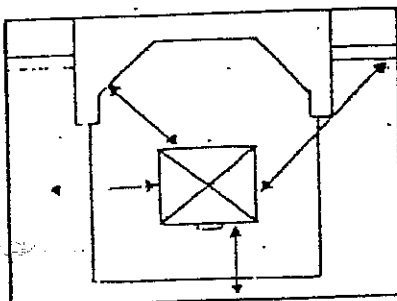
HEARTH

CHIMNEY HEIGHT

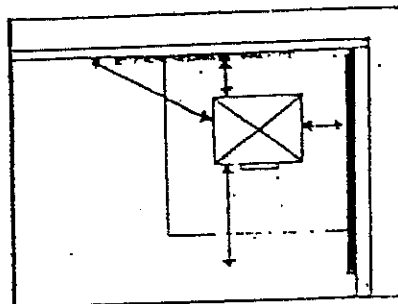
- Hearth (min. 1 hr. fire resistance) A) Materials _____
 B) Sub-floor construction _____
 C) Minimum dimensions (refer to diagram)

Clearances and Wall Protection (see stove installation clearances chart)

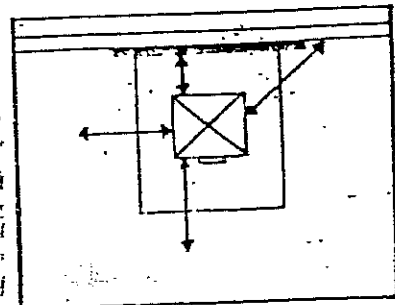
- A) Type of wall protection provided _____
 B) Clearances (refer to diagrams)



FIREPLACE



CORNER



WALL/CENTER